

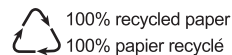


智能型充电器

RC-40N

使用说明书

www.relacart.com



简易故障排除

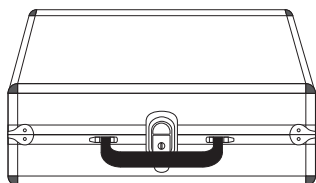
项目	故障现象	可能原因	处理方法
1	指示灯不亮	充电线路未接通	检查电池方向是否放反 检查电池是否接触良好 清洁充电电极的金属触片
2	指示灯快速闪烁	电池充电不正常	电池已损坏 更换电池 检查电池是否接触良好 清洁充电电极的金属触片
3	电池在较短的时间内(30分钟)就充满电	电池老化损坏	更换电池

备注：无法自行排除故障时请送修。

注意事项

- 1.禁止为镍氢、镍镉以外的电池充电，否则可能引起电池漏液、甚至爆炸。
- 2.中断充电过程将影响充电效果。
- 3.不要在低于-20°C或高于40°C的环境中充电。
- 4.充电器不要长时间置于较潮湿的环境中使用。
- 5.新买回来的，或者是长时间未使用的镍氢电池，要经过3-4次的充电和使用，性能才能发挥到最佳状态。
- 6.电池充满电后超过4个月不使用时，须重新充电。

充电箱使用说明



本公司生产的充电箱使用航空箱设计，坚固耐用，便于移动。

适合经常大量使用充电电池的场合，专为镍氢、镍镉的AA型电池充电。

RC-40N可同时给40只AA 电池充电。

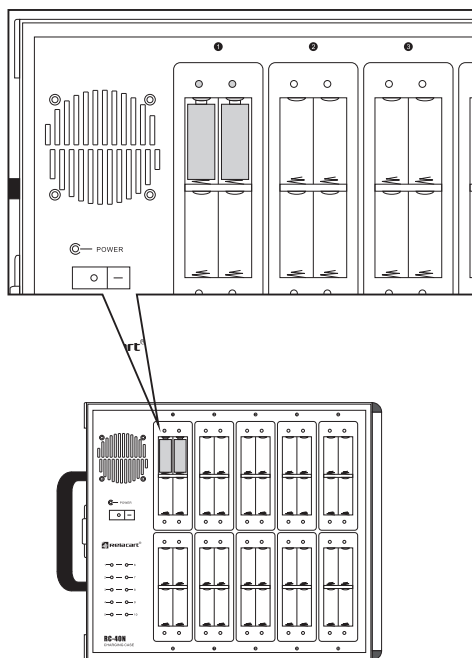
充电箱底部设有通风导孔，支架处装有冷却风扇，能使充电箱处于一个良好的通风冷却环境，充电箱长时间工作也能处于稳定的工作状态。

充电箱带有LED电源指示灯显示工作状态，每一个充电位都带有独立的LED充电状态显示。使用智能快速脉冲大电流充电，一般在5小时内就可完成充电，并且充电状态指示灯长亮起来。

充电箱具有电池检测功能，可以检测失效或不匹配电池，充电指示灯将以3次/秒的频率快速闪烁。同时可检测电池电压、温度和充电时间，作为辅助的终止方式以保证安全。

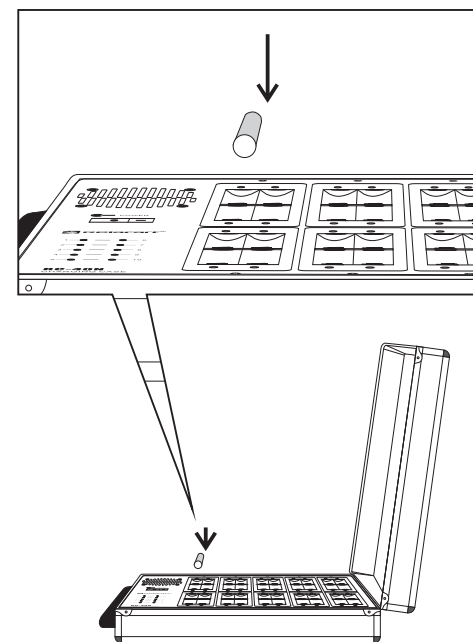
独立监察每节电池，并独立控制每节电池的充电状态，保证每节电池完全充满， ΔV 终止方式，其灵敏度为2mV（典型）。

充电指示灯说明



- 1、充电前先对电池进行检测，指示灯以3S/次的频率闪烁，共闪烁3次。
- 2、电池检测正常后将对电池进行充电，指示灯以1S/次的频率闪烁。
- 3、电池充满电后，指示灯长亮。
- 4、电池检测时，指示灯以3次/S的频率快速闪烁，说明电池失效或不匹配。
- 5、指示灯不亮，表示充电线路未接通。

充电箱电池安装方式



技术指标

输入电压	AC 110-220V
最大电流	1.3A
最大功率	250W
充电槽位	40
充电环境温度	-20°C ~ 40°C
充电箱净重量	5150g
充电箱尺寸	405mm×355mm×95mm

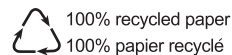


Intelligent Charger

RC-40N

Manual

www.relacart.com



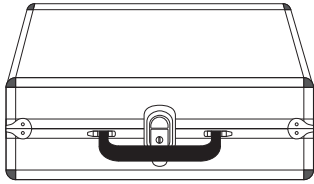
Troubleshooting

Item	Issue	Reason	Solution
1	The indicator light is off	Charging circuit is not connected	Make sure the +/- indicators on batteries match the Charging case terminals Make sure the battery in good contact Clean the metal contact plate of charging electrode.
2	LED flashes rapidly	The battery charge is not normal	Battery has been damaged Replace battery Make sure the battery in good contact Clean the metal contact plate of charging electrode.
3	Batteries in a short period of time (30 minutes) on a fully charged	The battery aging The battery is damaged	Replace battery

Note:

- 1 Just can use NiMH and nickel-cadmium rechargeable batteries, forbids other battery. Otherwise, it may cause battery leakage, or explosion.
- 2 Interrupts the charging process will affect the charging effect.
- 3 Do not charge in less than -20°C æ 40°C æ
- 4 The charging case doesn't place in a humid environment for a long time.
- 5 For the new NiMH AA batteries or long time unused NiMH AA batteries need to charge 3-4 times to make sure the best performance.
- 6 After the battery is fully charged more than four months when not in use, to be re-charged.

Charging case operating instruction:



Relacart produces charging case using flight case design, durable, easy to move.

Suitable for many occasions that extensive use of rechargeable batteries, designed for NiMH AA and nickel cadmium AA batteries.

RC-40N can charge 40 AA batteries at the same time.

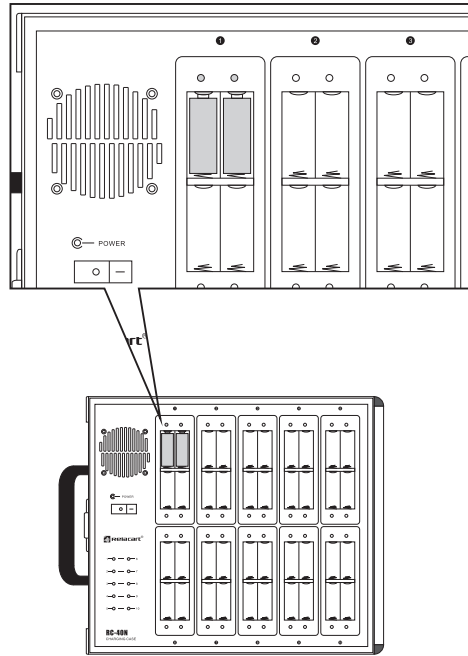
Charging case provide ventilation holes at the bottom. A cooling fan support, allows charging case in a cool well- ventilated environment, charging case can work for a long time with stable state.

Charging case with LED power indicator shows the state of each bit comes with a separate charging LED charging status display. Use intelligent rapid pulse current charge, usually can be completed charging within five hours, and the charge status indicator is lit up.

Charging case with battery detection function can detect the invalid battery and mismatching battery. Charge indicator light will be flashes rapidly at a frequency of 3 times / S. At the same time, it can detect the battery voltage, temperature and charging time, as an auxiliary method of termination to ensure safety.

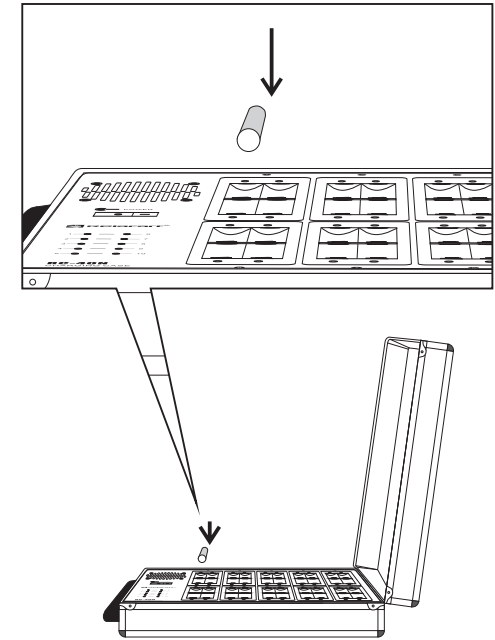
Monitoring each battery independently, and control the state of charge of each battery independently to ensure that each battery is fully charged, - Δ V termination mode, the sensitivity is 2mv (typical).

Charge indicator :



1. The charging case will detect the battery before charge, indicator light will flashes at the frequency 3S/ times, a total is flashing 3 times.
2. After the battery detect normal, it will charge the battery, the light will flashes at the frequency 1S / times.
3. When the battery is fully charged, the indicator light is bright.
4. When the battery is detected, the indicator light flashes rapidly at a frequency of 3 times / S, which means the battery invalid or mismatching.
5. The indicator light is off, which means that the charging circuit is not connected.

Battery Installation:



Technical indicators:

Input voltage:	AC 110-220V
Maximum Current:	1.3A
Maximum power:	250W
Charging slots:	40
Charging ambient temperature:	-20°C ~ 40°C
Charging Case Net Weight:	5150g
Charging Case size:	405mm×355mm×95mm